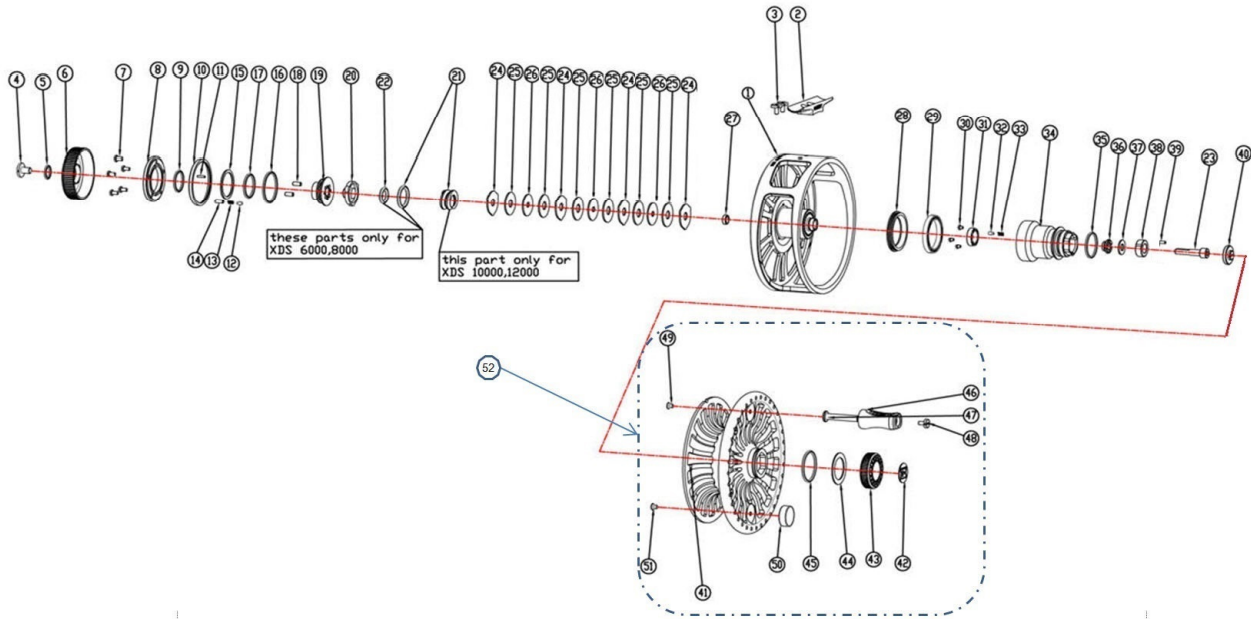


PARTS LIST FOR HARDY FORTUNA XDS 6000 8000 10000 12000



| # | DESCRIPTION | QTY | PART NO. | | | |
|----|-------------------------------|-----|----------|---------|---------|---------|
| | | | 6000 | 8000 | 10000 | 12000 |
| 1 | FRAME | 1 | 1410863 | 1410864 | 1410865 | 1410866 |
| 2 | FOOT | 1 | 1410867 | 1410868 | 1410869 | 1410870 |
| 3 | FOOT SCREW | 2 | | | 1410871 | |
| 4 | DRAG KNOB SCREW | 1 | | | 1410872 | |
| 5 | DRAG KNOB SCREW O-RING | 1 | | | 1410873 | |
| 6 | DRAG KNOB | 1 | | | 1410874 | |
| 7 | DRAG KNOB COVER PLATE SCREWS | 5 | | | 1410875 | |
| 8 | DRAG KNOB FIXING PLATE | 1 | | | 1410876 | |
| 9 | FIXING PLATE O SEAL | 1 | | | 1410877 | |
| 10 | DRAG KNOB OUTER SEAL | 1 | | | 1410878 | |
| 11 | DRAG KNOB PIN | 1 | | | 1410879 | |
| 12 | DRAG KNOB CLICKER | 1 | | | 1410880 | |
| 13 | DRAG KNOB CLICKER SPRING | 1 | | | 1410881 | |
| 14 | CLICKER SCREW | 2 | | | 1410882 | |
| 15 | FRAME INNER SEAL | 1 | | | 1410883 | |
| 16 | DRAG NUT O SEAL | 1 | | | 1410884 | |
| 17 | DRAG KNOB O SEAL | 1 | | | 1410885 | |
| 18 | ADJUSTMENT SCREW | 2 | | | 1410886 | |
| 19 | DRAG NUT | 1 | 1417700 | | | 1410887 |
| 20 | DRAG SCREW | 1 | 1410888 | | | 1410889 |
| 21 | COMPRESSION INNER O SEAL | 1 | 1410890 | | | N/A |
| | COMPRESSION SPRING | 1 | N/A | | | 1410891 |
| 22 | COMPRESSION OUTER O SEAL | 1 | 1410892 | | | N/A |
| 23 | TORSION DRIVE | 1 | 1410893 | | | 1410894 |
| 24 | FIXED DRAG WASHER | 2 | 1410895 | | | N/A |
| | | 4 | N/A | | | 1410895 |
| 25 | CARBON DRAG WASHER | 4 | 1410896 | | | N/A |
| | | 6 | N/A | | | 1410896 |
| 26 | ROTARY DRAG WASHER | 2 | 1410897 | | | N/A |
| | | 4 | N/A | | | 1410897 |
| 27 | DRAG COMPARTMENT BEARING | 1 | | | 1410898 | |
| 28 | REAR BEARING TEFLON SEAL | 1 | | | 1410899 | |
| 29 | AXLE REAR BALL BEARING | 1 | | | 1410900 | |
| 30 | AXLE FRONT BALL BEARING SCREW | 3 | | | 1410901 | |
| 31 | AXLE FRONT BALL BEARING | 1 | | | 1410902 | |
| 32 | SPOOL CLICKER | 1 | | | 1410903 | |
| 33 | SPOOL CLICKER SPRING | 1 | | | 1410904 | |
| 34 | SPOOL AXLE | 1 | 1410905 | | | 1410906 |
| 35 | SPOOL AXLE O SEAL | 1 | | | 1410907 | |
| 36 | DRAG COMPARTMENT SCREW | 1 | | | 1410908 | |
| 37 | TORSION TEFLON SEAL | 1 | | | 1410909 | |
| 38 | ONE WAY CLUTCH BEARING | 1 | | | 1410910 | |
| 39 | ONE WAY CLUTCH PIN | 1 | | | 1410911 | |
| 40 | OWC NYLON INSERT | 1 | | | 1410912 | |
| 41 | SPOOL | 1 | 1410859 | 1410860 | 1410861 | 1410862 |
| 42 | CASTLE & FLY BADGE | 1 | | | 1410913 | |
| 43 | SPOOL NUT | 1 | | | 1410914 | |
| 44 | SPOOL NUT TEFLON WASHER | 1 | | | 1410915 | |
| 45 | SPOOL NUT O SEAL | 1 | | | 1410916 | |
| 46 | PADDLE HANDLE | 1 | 1410917 | | | 1410918 |
| 47 | HANDLE AXLE | 1 | 1410919 | | | 1410920 |
| 48 | HANDLE SCREW | 1 | | | 1410921 | |
| 49 | HANDLE AXLE SCREW | 1 | | | 1410922 | |
| 50 | COUNTERWEIGHT | 1 | 1410923 | | | 1410924 |
| 51 | COUNTERWEIGHT SCREW | 1 | | | 1410925 | |
| 52 | SPARE SPOOL | 1 | 1404225 | 1404226 | 1404227 | 1404228 |

Reel Part Numbers: FORTUNA 6000 XDS 1404221; FORTUNA 8000 XDS 1404222; FORTUNA 10000 XDS 1404223; FORTUNA 12000 XDS 1404224
26 00

Drawn: Jun-24-2016

Drawing Version: 34-13308-00